

# **GREENMAN**

## **ZERO-TURN MOWER**

*PARTS MANUAL*

*400SERIES*

*MODELS:GMZT48LC*

*GMZT52LC*



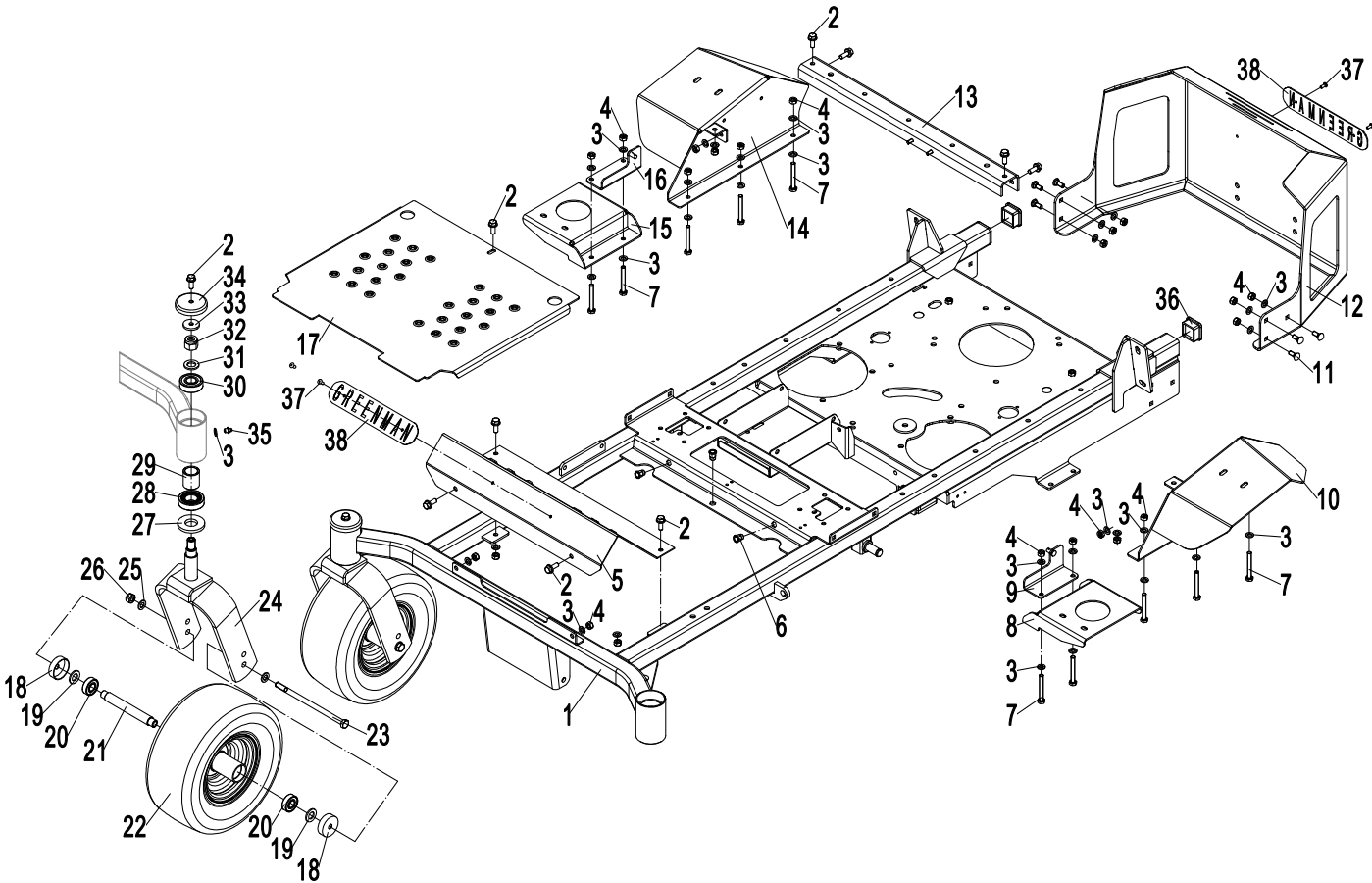
**SABRE ITALIA**  
Attrezzati per natura

Jan.13, 2026

## CONTENTS

CHASSIS ASSEMBLY.....	- 1 -
HYDROSTATIC TRANSAXLE/WHEEL ASSEMBLY.....	- 3 -
STEERING ASSEMBLY.....	- 6 -
DECK CARRIER ASSEMBLY.....	- 9 -
SEAT ASSEMBLY.....	- 11 -
ENGINE ASSEMBLY.....	- 13 -
FUEL ASSEMBLY.....	- 15 -
48" &52" MOWER DECKS ASSEMBLY.....	- 17 -
ELECTRICAL ASSEMBLY.....	- 21 -
ELECTRICAL DIAGRAM.....	- 23 -
48"&52" SAFETY ASSEMBLY.....	- 24 -

**CHASSIS ASSEMBLY**



**CHASSIS ASSEMBLY**

<b>Item No.</b>	<b>Part No.</b>	<b>Name</b>	<b>Description</b>	<b>Qty.</b>	<b>Others</b>
1	B000421-01	Chassis		1	
2	7010820	Hex Flange Bolt	M8×20	9	
3	7030819	Washer	Φ8	34	
4	7020803A	Hex Lock Nut	M8	24	
5	4030019	Front Tread Footrest		1	
6	7020901	Rivet Nut	M8×18	3	
7	7010807	Hex Bolt	M8×60	10	
8	4034968	Mounting bracket		1	
9	4034969	Damper bracket,LH		1	
10	4034967	Shield Tire,LH		1	
11	7180812	Square neck bolt	M8×20	6	
12	4561920	Shield Rear		1	
13	4034965	Spring Mounting bracket		1	
14	4034966	Shield Tire,RH		1	
15	4034964	Mounting bracket		1	
16	4034963	Damper bracket,RH		1	
17	4034951	Tread Footrest		1	
18	4060044	Dust cover		4	
19	7031401	Washer	Φ14	4	
20	7060201	Ball Bearing	6202	4	
21	4012952	SPACER		2	
22	8031165	Guide wheels		2	
23	7011171	Hex Bolt	M10×190	2	
24	4030038	Caster Wheel Fork		2	
25	7031009	Washer	Φ10	4	
26	7021004A	Hex Lock Nut	M10	2	
27	4012953	spacer		2	
28	7061234	Roller Bearing		2	
29	7085350	spacer		2	
30	7060401	Deep Groove Ball Bearing		2	
31	7031602	Washer	Φ16	2	
32	7021603	Hex Lock Nut	M16	2	
33	7080470	Pressure pad		2	
34	2131951	Dust cover		2	
35	7320020	Grease Zerk	M8×1	2	
36	2133780	Square tube plug		2	
37	7030413	Rivet		4	
38	6050142	Model Number		2	



## **HYDROSTATIC TRANSAXLE/WHEEL ASSEMBLY**

<b>Item No.</b>	<b>Part No.</b>	<b>Name</b>	<b>Description</b>	<b>Qty.</b>	<b>Others</b>
1	ZJ-GPEE-SKDB-2PLX	Hydrostatic Transaxle , Rt	3100	1	
2	7011040	Hex Bolt	M10×55	2	
3	7031009	Washer	Φ10	4	
4	4039495	Drive fixing connecting		1	
5	7041002	Lock washer	Φ10	2	
6	7030819	Washer	Φ8	14	
7	7010807	Hex Bolt	M8×60	4	
8	ZJ-KPEE-SKDC-3PLX	Hydrostatic Transaxle ,Lt	3100	1	
9	7010899	Hex Bolt	M8×75	4	
10	6090326	Spring hanging plate I		2	
11	7020803	Hex Lock Nut	M8	6	
12	7040802	Lock Washer	Φ8	2	
13	4045990	Left tendril		1	
14	7021004	Hex Lock Nut	M10	2	
15	4061205	Dust cover		1	
16	7031004	Large washers	Φ10	2	
17	1041300	Idler Pulley		1	
18	7220321	Felt Loop		1	
19	7011094	Hex Bolt	M10×90	1	
20	1050165	Belt Bando A65		1	
21	4060421	Idler Pulley Arm		1	
22	7059600	Extension Spring		1	
23	7061224	Ball Bearing	6203	2	
24	4065160	Dust cover		1	
25	7085380	Spacer		1	
26	1014450	Shaft I		1	
27	7011123	Hex Flange Bolt	M10×80-10.9	1	
28	7290802	Loose joint bolt	M8×50	1	
29	7020819	Hexagonal lock nut	M8	2	
30	7010072A	Inch Wheel Hub Nut	1/2-20 UNF-2B	8	
31	8030018	Tire		2	
32	7020602A	Hex Lock Nut	M6	4	
33	7030601	Washer	Φ6	10	
34	7010667	Hex Bolt	M6×20	4	
35	2114675	Fuel Line		2	
36	7150017	Hose Clamp-Spring		4	
37	4045980	Right tendril		1	
38	71328	Fuel Tank 71328		2	
39	7131806	D-Pin		2	

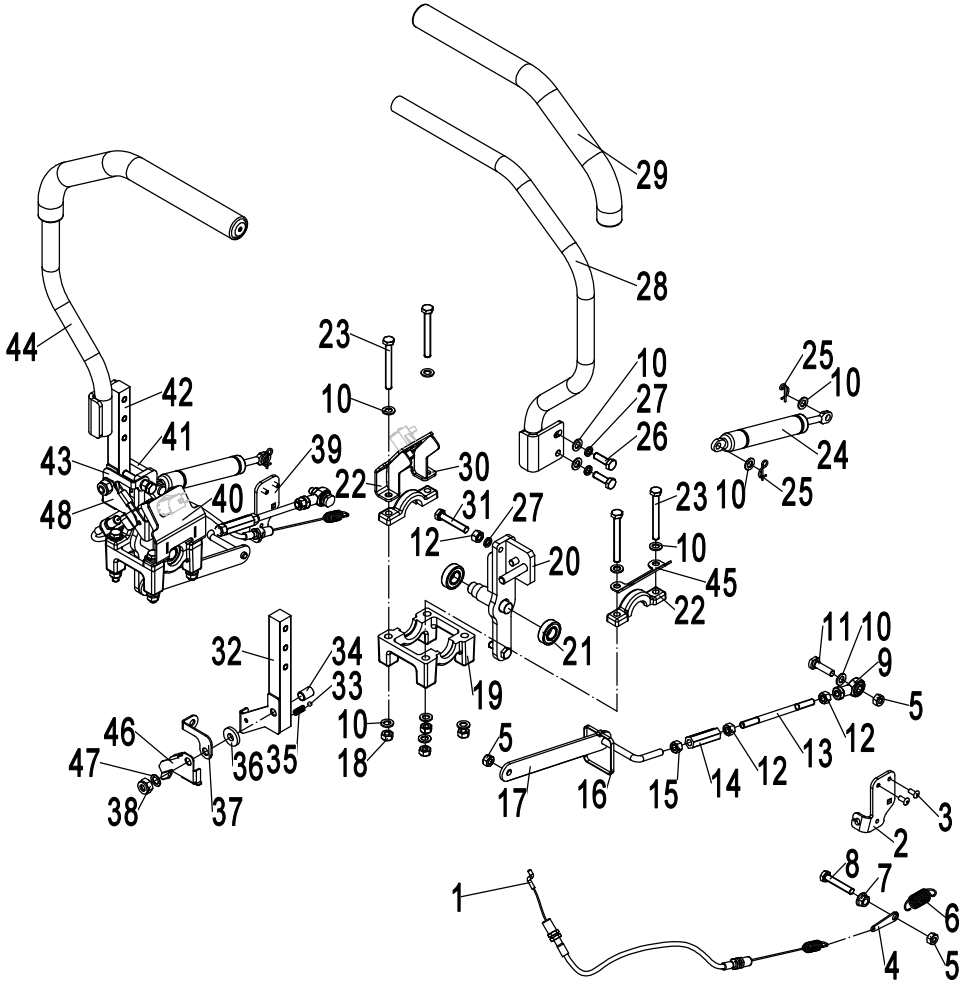
## ***HYDROSTATIC TRANSAXLE/WHEEL ASSEMBLY***

---

---

40	1010003	Pulley Shaft		1	
41	4030088	Left drive fender		1	
42	7010870	Hexagonal toothed bolts	M8×12	6	
43	4030089	Right drive fender		1	
44	7010894	Hex Flange Bolt	M8×16	2	
45	B000422-02-01	Tension pulley guard		1	

**STEERING ASSEMBLY**



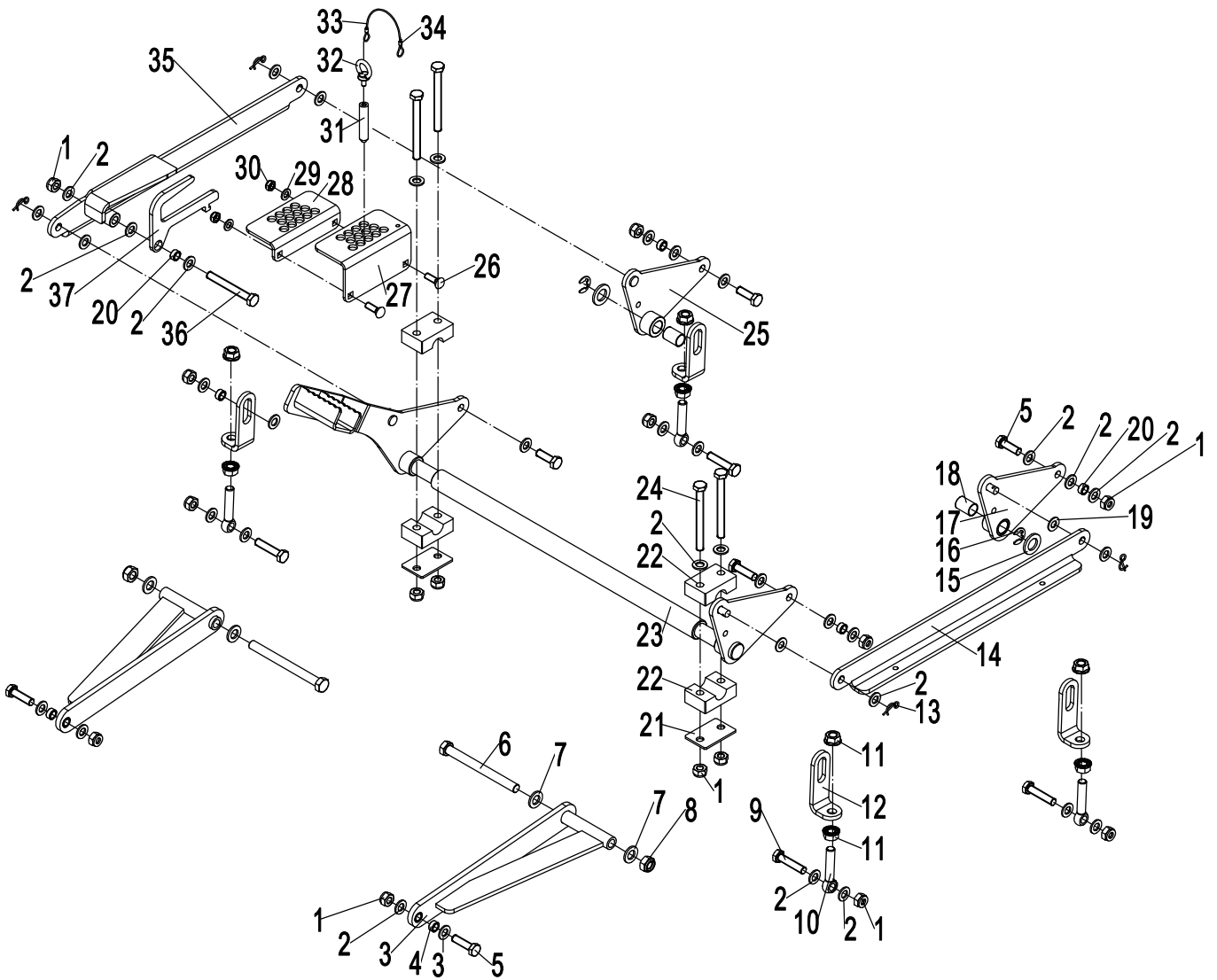
**STEERING ASSEMBLY**

<b>Item No.</b>	<b>Part No.</b>	<b>Name</b>	<b>Description</b>	<b>Oty.</b>	<b>Others</b>
1	5072850	Brake Cable		2	
2	4260001	Cable Mount Bracket/LH		1	
3	7030413	Rivet		4	
4	4260009	Spring hanging plate		2	
5	7020803A	Hex Lock Nut	M8	6	
6	7051511	Return pull spring		2	
7	7020819	Hex Lock Nut	M8	2	
8	7010893	Hex Bolt	M8×30	2	
9	7121004	Joint Bearing Rod End		2	
10	7030819	Washer	Φ8	22	
11	7181630	Axle Pin		2	
12	7020804	Hex Nut	M8	10	
13	7292008	Screw M8		2	
14	7292009	Neutral Buckle M8		2	
15	7020860	Hex Nut	M8-L	2	
16	9120785	Zip ties		2	
17	4021590	Control Link		2	
18	7020803	Hex Lock Nut	M8	8	
19	4133431	Bearing Pedestal		2	
20	4269810	Motion Pivot/LH		1	
21	7060014	Ball Bearing	6002	4	
22	4163010	Bearing Cap		4	
23	7010880	Hex Bolt	M8×70	8	
24	2020450	Damper		2	
25	7131806	D-Pin		4	
26	7010821	Hex Bolt	M8×25	4	
27	7040802	Lock Washer	Φ8	6	
28	4034971	Steering Handle LH		1	
29	5010025	Handle Grip-Foam		2	
30	4130008	Left mounting plate		1	
31	7010826	Hex Bolt	M8×45	6	
32	4300001	Control Arm/LH		1	
33	5060601	Ball	Φ6	2	
34	7083810	Bearing w/Flange		2	
35	7057560	Operating Stop Spring		2	
36	7083540	Plastic Washer		2	
37	4165740	Lock Washer /LH		1	
38	7021004A	Hex Lock Nut	M10	2	

**STEERING ASSEMBLY**

<b>Item No.</b>	<b>Part No.</b>	<b>Name</b>	<b>Description</b>	<b>Oty.</b>	<b>Others</b>
39	4260002	Cable Mount Bracket/RH		1	
40	4130009	Right mounting plate		1	
41	4269820	Motion Pivot/RH		1	
42	4300002	Control Arm/RH		1	
43	4165750	Lock Washer /RH		1	
44	4034972	Steering Handle RH		1	
45	4260008	Brake line fixing plate		2	
46	4260011	Brake line limit plate/LH		1	
47	7031037	Nylon gaskets		2	
48	4260012	Brake line limit plate/RH		1	

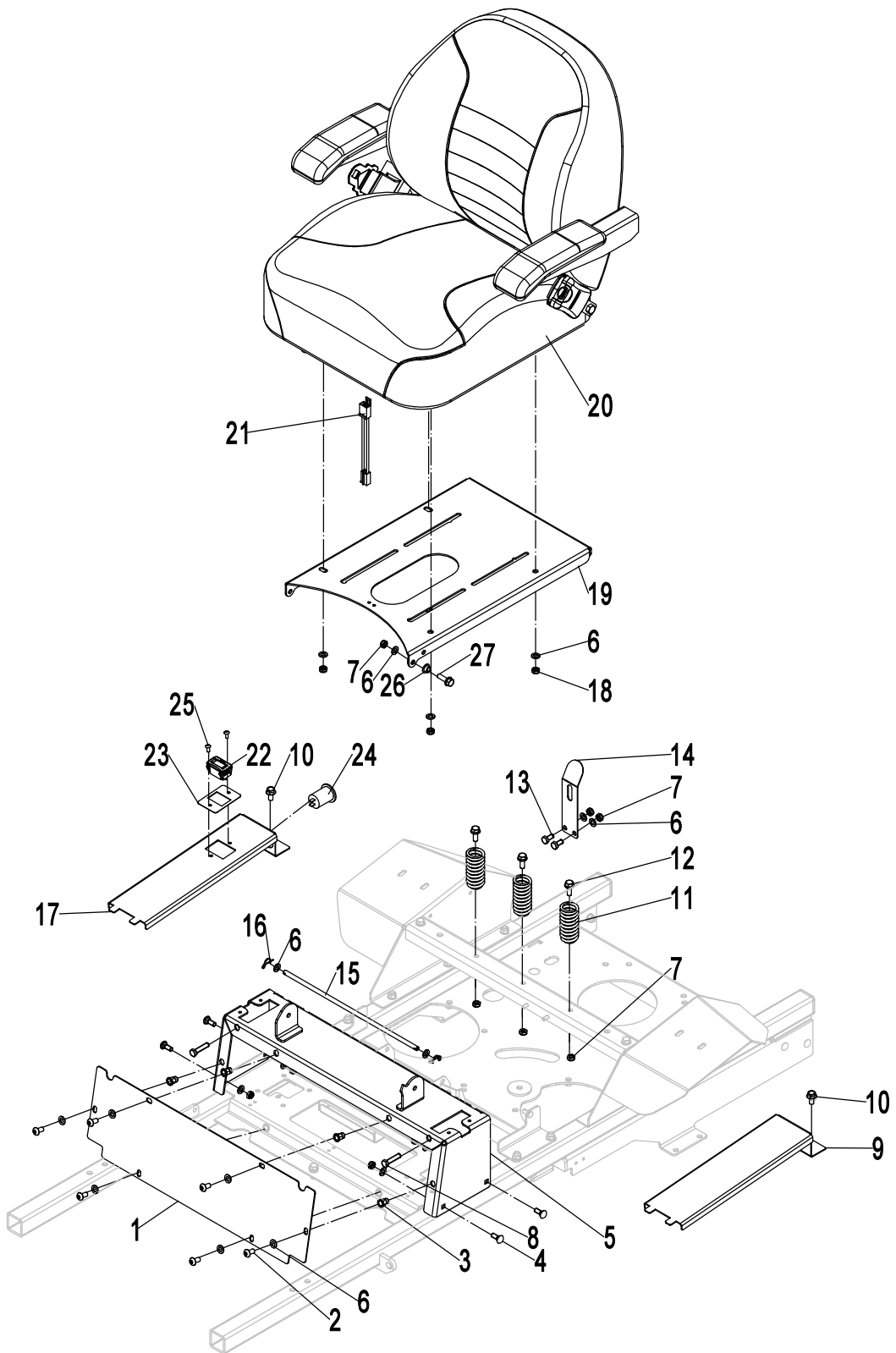
# DECK CARRIER ASSEMBLY



**DECK CARRIER ASSEMBLY**

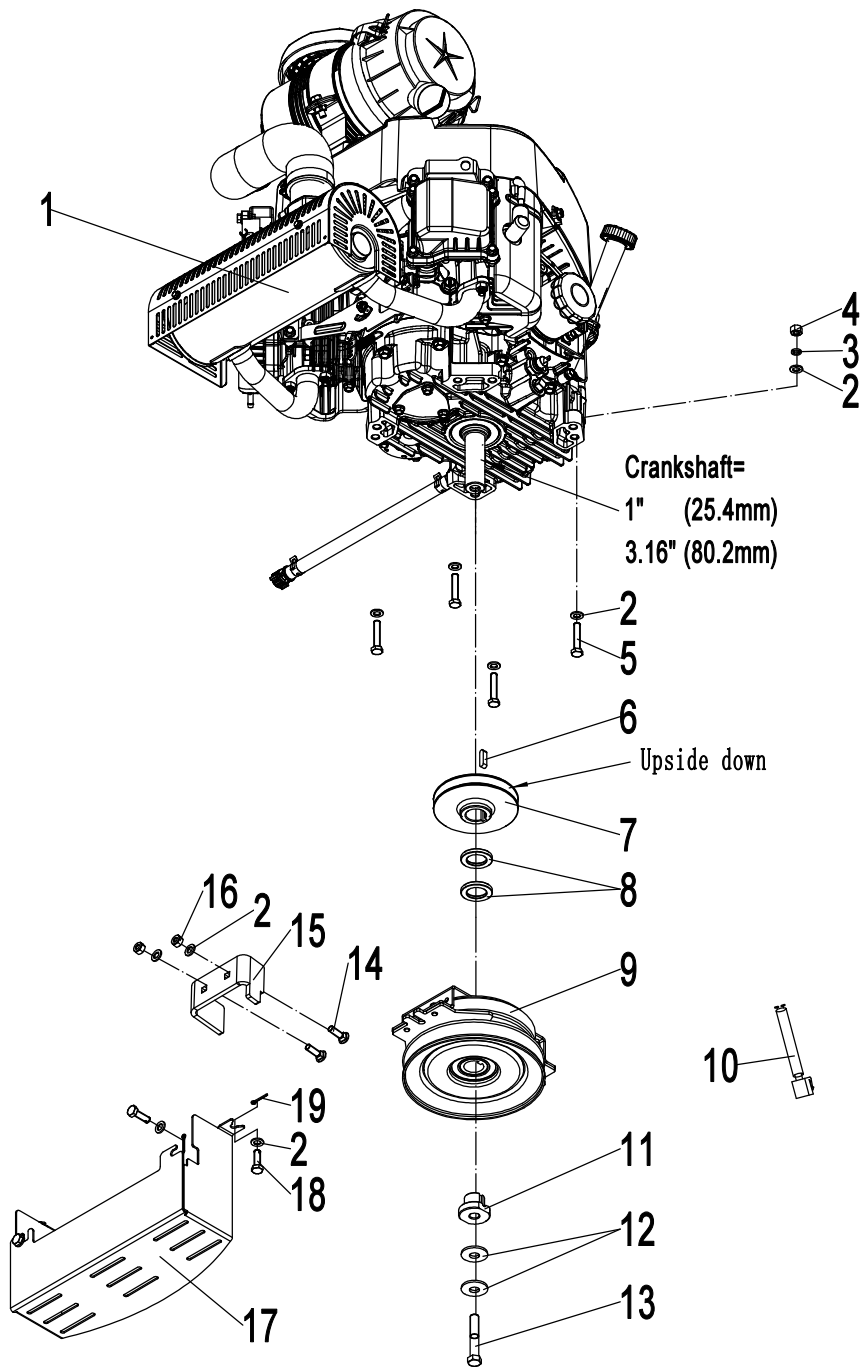
<b>Item No.</b>	<b>Part No.</b>	<b>Name</b>	<b>Description</b>	<b>Oty.</b>	<b>Others</b>
1	4030026	Lift Lever		1	
2	4058192	Link, Deck Lift-RH		1	
3	4046100	Pin Shaft		1	
4	1035104	Ring Bolt		1	
5	4170165	Wire Rope		1	
6	7084410	Aluminum sleeve	2.2×4.4×7	2	
7	4058193	Adjust the limit plate		1	
8	4058194	Cut Height Plate,Down		1	
9	4058195	Cut Height Plate,Up		1	
10	7011151	Hex Bolt	M10×100	4	
11	7031009	Washer	Φ10	31	
12	7180818	Square neck bolt	M8×25	2	
13	4310210	Lift Bearing Block		4	
14	4030028	CUTTERHEAD Lug		4	
15	4151750	Lift Bearing Lower Plate		2	
16	7291260	Joint Bolt	M12×60	4	
17	4030037	Knife disk support rod		2	
18	7011215	Hex Bolt	M12×130	2	
19	4030027	Deck Rocker RH		1	
20	7121800	Self-lubricating bearing		2	
21	4058199	Pendulum link		1	
22	7141203	Snap Ring	Φ12	2	
23	7131806	D-Pin		4	
24	7030819	Washer	Φ8	2	
25	7031221	Washer	Φ12	4	
26	7031602	Washer	Φ16	2	
27	4030036	Spacer		5	
28	7021004A	Hex Lock Nut	M10	15	
29	7011019	Hex Bolt	M10×35	6	
30	7011052	Hex Bolt	M10×80	1	
31	7021204A	Hex Lock Nut	M12	2	
32	7011063	Hex Bolt	M10×45	4	
33	4010395	Spacer		2	
34	7021242	Hexagonal lock nut	M12	8	

# SEAT ASSEMBLY



**SEAT ASSEMBLY**

<b>Item No.</b>	<b>Part No.</b>	<b>Name</b>	<b>Description</b>	<b>Oty.</b>	<b>Others</b>
1	4030025	Front Plate		1	
2	7240999	Hexagon flat head screws	M8×16	6	
3	7020901	Rivet Nut	M8×18	4	
4	7180812	Square Neck Bolt	M8×20	4	
5	4030024	Seat Fender		1	
6	7030819	Washer	Φ8	17	
7	7020803A	Hex Lock Nut	M8	10	
8	7010837	Hex Bolt	M8×35	2	
9	4561150	connecting plate		1	
10	7010894	Hex Flange Bolt	M8×16	2	
11	7059381	Seat Spring		3	
12	7010820	Hex Flange Bolt	M8×20	3	
13	7010847	Hex Bolt	M8×16	2	
14	4034724	Seat Latch		1	
15	1014340	Connecting shaft		1	
16	7131806	D-Pin		2	
17	4060419	connecting plate		1	
18	7020015A	Inch Nut	5/16-18	4	
19	4030078	Seat Plate		1	
20	5080070	Seat		1	
21	9053189	Seat Line		1	
22	6631006	Hour Meter		1	
23	4060417	Hour Meter Plate		1	
24	6631007	USB connector switch		1	
25	7030413	Rivet		2	
26	7120190	Spacer sleeve		1	
27	7010838	Hex Flange Bolt	M8×25	1	

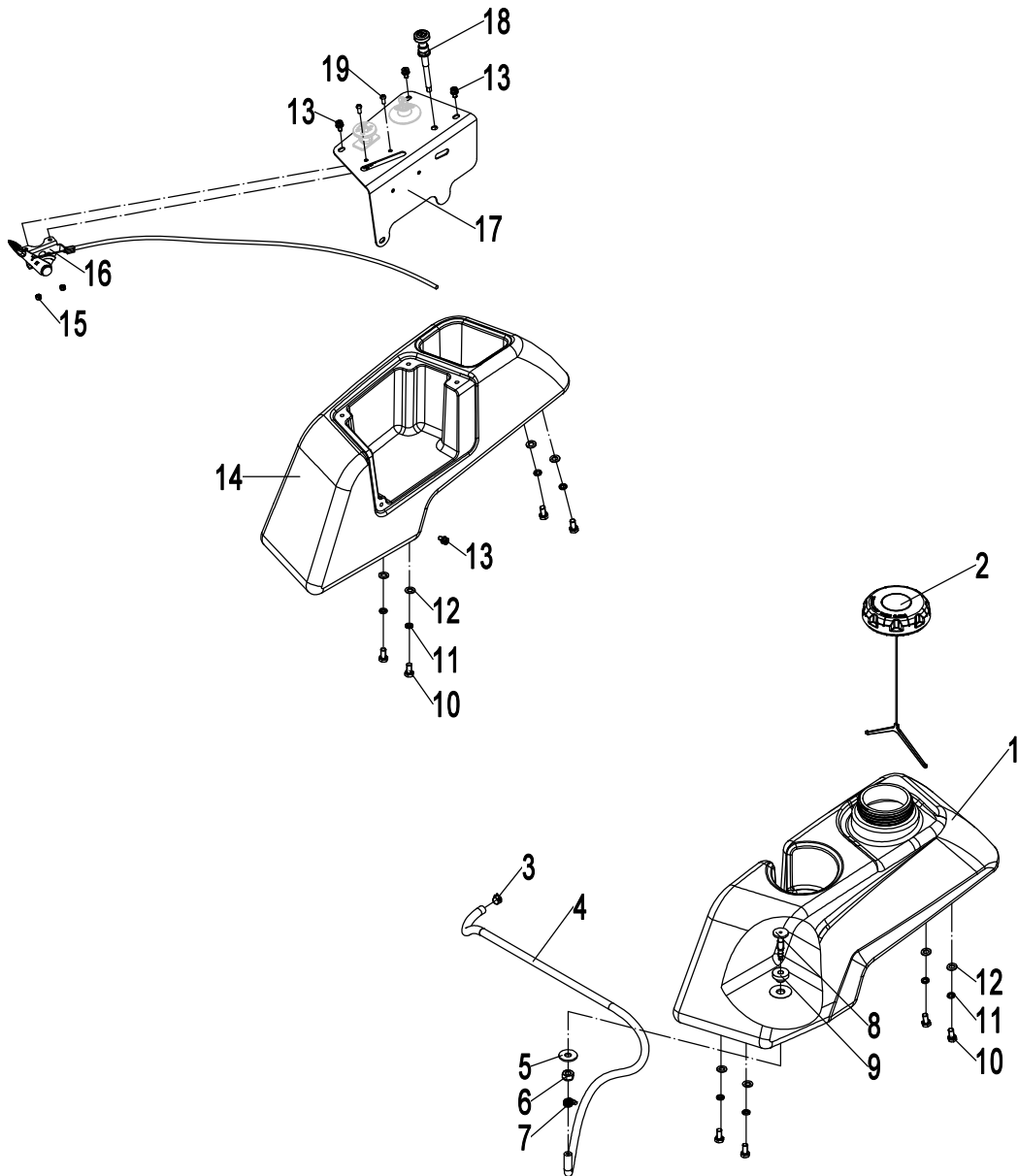


**48" & 52" Mower**

**ENGINE ASSEMBLY**

<b>Item No.</b>	<b>Part No.</b>	<b>Name</b>	<b>Description</b>	<b>Oty.</b>	<b>Others</b>
1	LC2P82F-L4170	Engine		1	
2	7030819	Washer	Φ 8	14	
3	7040802	Lock Washer	Φ 8	4	
4	7020804	Hex Nut	M8	4	
5	7010814	Hex Bolt	M8×40	4	
6	7110608A	Key	6.35×6.35×30	1	
7	4039496	Pulley		1	
8	4124390	Spacer		2	
9	7101440	Electromagnetic PTO Clutch		1	
10	9054890	Transfer Harness		1	
11	4124420	Clutch Sleeve		1	
12	4071060	Clutch Plate		2	
13	7010075A	Inch Bolt	7/16-20×3	1	
14	7180818	Square Neck Bolt	M8×25	2	
15	4221320	Clutch Plate		1	
16	7020803A	Hex Lock Nut	M8	2	
17	B000423-01	Belt pulley guard		1	
18	7016560	Hex Bolt	M8×25	4	
19	7130204	pin		4	

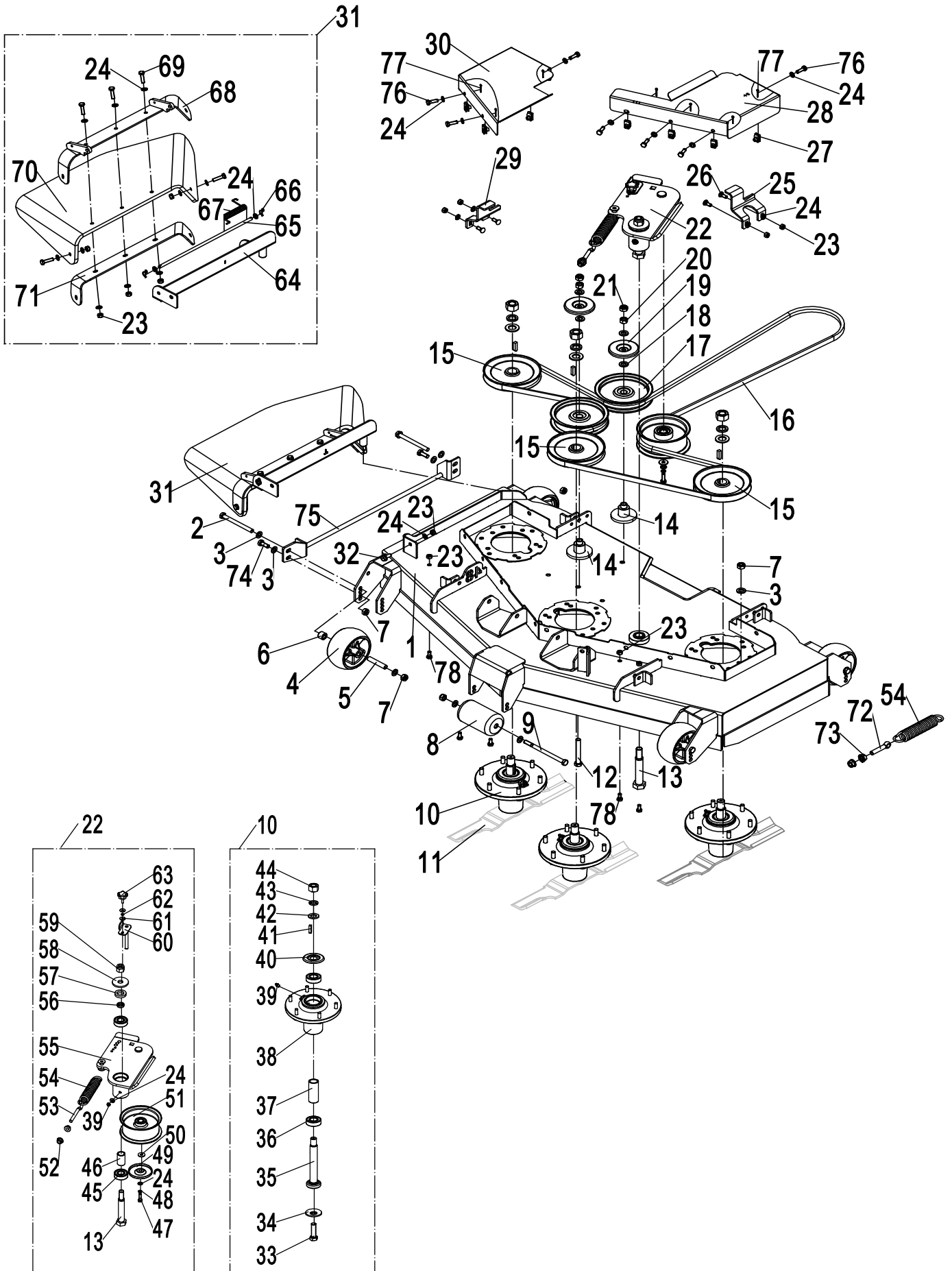
# FUEL ASSEMBLY



**FUEL ASSEMBLY**

<b>Item No.</b>	<b>Part No.</b>	<b>Name</b>	<b>Description</b>	<b>Oty.</b>	<b>Others</b>
1	2080870	Fuel Tank		1	
2	2081032A	Fuel Cap		1	
3	7150170	Hose Clamp-Spring		1	
4	2114630	1/4"Fuel Line		1	
5	7031004	Large Washer	Φ10	1	
6	7021004A	Hex Lock Nut	M10	1	
7	7150040	Hose Clamp-Spring		1	
8	2084180	Tube coupling		1	
9	7083445	Bushing-Fuel Tube		1	
10	7010847	Hex Bolt	M8×16	8	
11	7040802	Lock Washer	Φ8	8	
12	7030819	Washer	Φ8	8	
13	7260602	Hex Bolt	M6×12	4	
14	2080880	Rotational Shield		1	
15	7020505A	Lock Nut	M5	2	
16	5072860	Throttle box		1	
17	4030039	Console		1	
18	5072870	Choke Control		1	
19	7260507	Cross Recess Head Screw	M5×12	2	

# 48" & 52" MOWER DECKS ASSEMBLY



## 48" & 52" MOWER DECKS ASSEMBLY

Item No.	Part No.	Name	Description	Qty.	Others
1	4030043	48" Mower Deck		1	48"
	4240012	52" Mower Deck		1	52"
2	7011080	Hex Bolt	M10×110	4	
3	7031009	Washer	Φ10	30	
4	8011800	Anti-scalp Roller		4	
5	4240585	Spacer		4	
6	4262150-03	Spacer		4	
7	7021004A	Hex Lock Nut	M10	23	
8	8010015	Anti-scalp Roller		1	
9	7011155	Hex Bolt	M10×150	1	
10	B500636	Blade Spindle Assembly		3	
11	3010429	Blade		3	48"
	3010751	Blade		3	52"
12	7011203	Hex Bolt	M12×85	2	
13	4240021	Bolt		1	
14	4030052	Fixed tension axle		2	
15	1042100	Pulley		3	
16	1050154	Belt Bando B154		1	48"
	1050155	Belt Bando B155		1	52"
17	1041690	Deck Mount		2	
18	7031221	Washer	Φ12	4	
19	4241745	Dust cover		2	
20	7021201	Hex Nut	M12	2	
21	7021204A	Hex Lock Nut	M12	2	
22		Assembly		1	
23	7020803A	Hex Lock Nut	M8	15	
24	7030819	Washer	Φ8	26	
25	4030048	Limit plate-L		1	
26	7180812	Square Neck Bolt	M8×20	4	
27	7020820	Type B leaf spring nut	M8	7	
28	B000424-06	Belt Guard LH		1	48"
	4561190	Belt Guard LH		1	52"
29	4030046	Limit plate-R		1	
30	B000424-04	Belt Guard RH		1	
31	B000424-01	Discharge Rubber Guard Assembly		1	
32	7010820	Hex Flange Bolt	M8×20	1	
33	7011606	Hex Bolt	M16×1.5×50	3	
34	4152540	Plate		3	
35	1014040	Spindle Shaft		3	

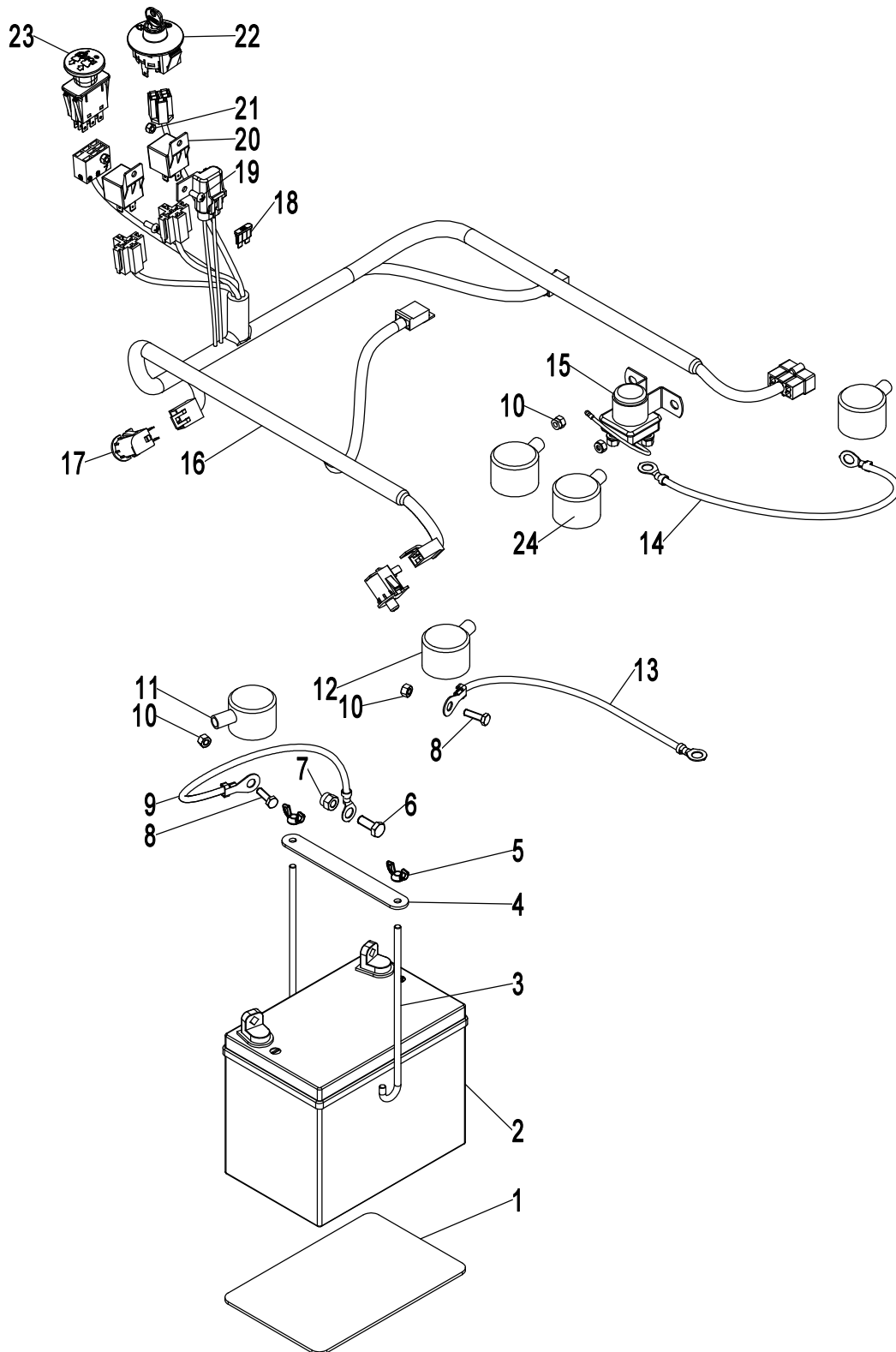
## **48" & 52" MOWER DECKS ASSEMBLY**

<b>Item No.</b>	<b>Part No.</b>	<b>Name</b>	<b>Description</b>	<b>Qty.</b>	<b>Others</b>
36	7061232	Deep groove ball bearing	6205-DDU	6	
37	4120860	Bearing Spacer		3	
38	4070440	Spindle Housing		3	
39	7320020	Grease Zerk	M8×1	4	
40	4065201	Bearing Shield		3	
41	7110803	Key	8×7×30	3	
42	7032006	Washer	Φ20	3	
43	7042003	Lock Washer	Φ20	3	
44	7022004	Hex Nut	M20×1.5	3	
45	7060401	Deep groove ball bearing	6204	2	
46	4240022	Spacer		1	
47	7010821	Hex Bolt	M8×25	1	
48	7040802	Lock Washer	Φ8	1	
49	4061205	Dust cover		1	
50	7030813	Big Washer	Φ8	1	
51	1041711	Deck Mount		1	
52	7021015	Hexagon flange nuts		2	
53	7181005	Hook bolt		1	
54	7059750	Idler Pulley Spring		2	
55	4241729	Idler Arm-Mule Drive		1	
56	4241510-06	Spacer		1	
57	7220321	Felt Loop		1	
58	7031613	Big Washer	Φ16	1	
59	7021603	Hex Lock Nut		1	
60	4300004	Anti detachment rod		1	
61	7030604	Big Washer	Φ6	2	
62	7040602	Lock Washer	Φ6	1	
63	5010608	Knob		1	
64	4301460	Mount Discharge Shield		1	
65	1014340	Connecting shaft		1	
66	7131806	D-Pin		2	
67	7051015	Spring-Torsion		1	
68	4150007	Bending welding		1	

## ***48" & 52" MOWER DECKS ASSEMBLY***

<b>Item No.</b>	<b>Part No.</b>	<b>Name</b>	<b>Description</b>	<b>Qty.</b>	<b>Others</b>
69	7010893	Hex Bolt	M8×30	5	
70	4065070	Rubber Guard		1	
71	4151730	Mount Plate/Lower		1	
72	7291260	Joint Bolt	M12×60	2	
73	7021242	Hexagonal lock nut	M12	2	
74	7011016	Hex Bolt	M10×25	2	
75	B000424-02	Cutting disc guard rod		1	48"
	4181570	Cutting disc guard rod		1	52"
76	7016560	Hex Bolt	M8×25	7	
77	7130204	Pin		7	
78	7010847	Hex Bolt	M8×16	5	

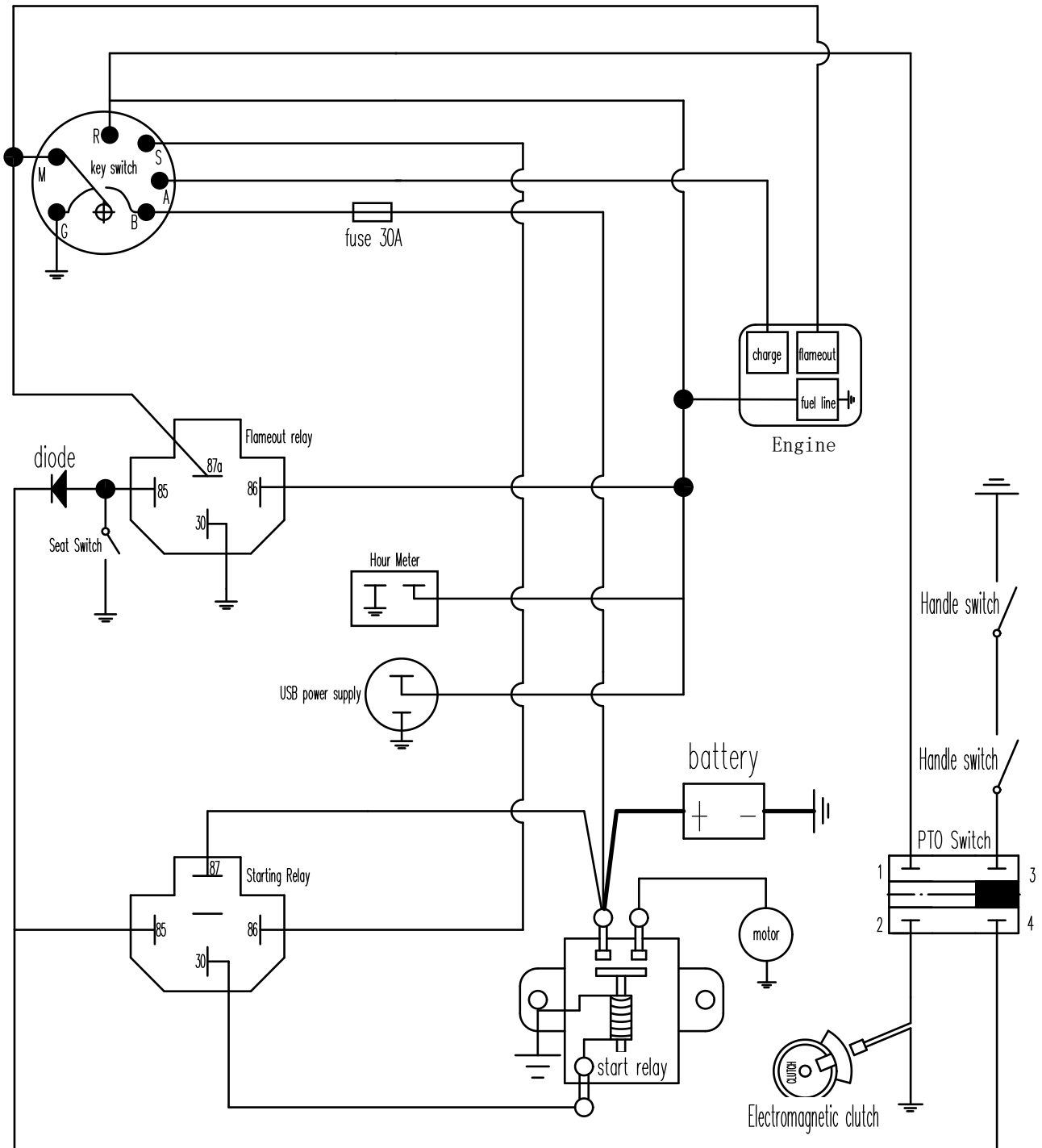
# ELECTRICAL ASSEMBLY



***ELECTRICAL ASSEMBLY***

<b>Item No.</b>	<b>Part No.</b>	<b>Name</b>	<b>Description</b>	<b>Oty.</b>	<b>Others</b>
1	5041160	Battery cushion		1	
2	9070335	Battery		1	
3	4181281	Battery Hold Down Strap Rod		2	
4	4152270	Battery Hold Down Plate		1	
5	7020606	Wing Nut		2	
6	7010894	Hex Flange Bolt	M8×16	1	
7	7020803A	Hex Lock Nut	M8	1	
8	7010662	Hex Bolt	M6×16	2	
9	9053181	Battery negative wire harness		1	
10	7020602A	Hex Nut	M6	6	
11	6631001	Negative protection cap		1	
12	6631002	Cathode Protective Cap		1	
13	9053171	Positive wire harness		1	
14	9053191	Start the wiring harness		1	
15	9020280	Starting Relay		1	
16	9055121	Main Harness		1	
17	2401354	Switch		2	
18	9010484	Fuse	30A	1	
19	7260507	Cross Recess Head Screw	M5×12	2	
20	9021001	Relay		2	
21	7020505A	Hex Lock Nut	M5	2	
22	AES-1311-53A	Ignition Switch		1	
23	9010548	PTO Clutch Switch		1	
24	6631003	Power cord protection cap		3	

# ELECTRICAL DIAGRAM



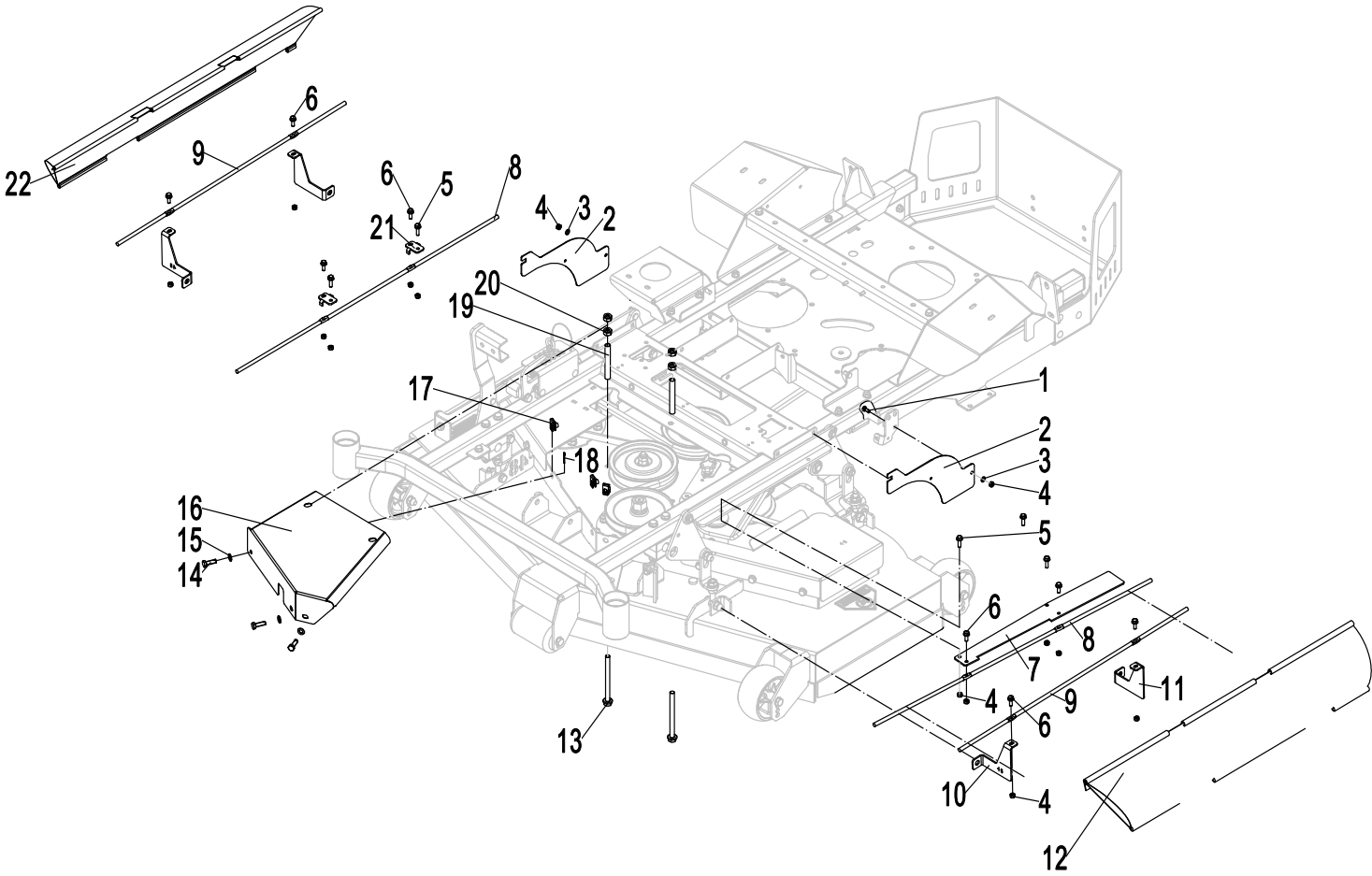
1. Key switch schematic diagram

off: M+G+A  
 RUN: R+B+A  
 START: S+B+R

2. PTO switch schematic diagram

press down : 3and4 Conduction , 1and2 break ;  
 pull up : 1and2 Conduction , 3and4 break.

**48" & 52" SAFETY ASSEMBLY**



**48"&52" SAFETY ASSEMBLY**

<b>Item No.</b>	<b>Part No.</b>	<b>Name</b>	<b>Description</b>	<b>Oty.</b>	<b>Others</b>
1	7180608	Square Neck Bolt	M6×16	2	
2	4030058	Side guard plate		2	
3	7030601	Washer	Φ6	2	
4	7020602A	Hex Lock Nut	M6	14	
5	7010652	Hex Flange Bolt	M6×20	4	
6	7010674	Hex Flange Bolt	M6×16	8	
7	4060344-01-02	Plate		1	
8	4060341-01-01	Upper connecting rod		2	
9	4060341-02-01	Lower connecting rod		2	
10	4060342-01-01	Lower connecting plate		2	48"
	4060343-01-01	Lower connecting plate		2	52"
11	4060342-01-02	Lower connecting plate		2	48"
	4060343-01-02	Lower connecting plate		2	52"
12	4060341-04	Side gear		1	
13	7011060	Hex Flange Bolt	M10×120	2	
14	7016560	Hex Bolt	M8×25	3	
15	7030819	Washer	Φ8	3	
16	B000424-05	Belt Guard		1	48"
	4561200	Belt Guard		1	52"
17	7020820	Type B leaf spring nut	M8	3	
18	7130204	pin		3	
19	4120003	Spacer		2	
20	7021004A	Hex Lock Nut	M10	4	
21	4060341-01-02	Upper connecting plate		2	
22	4060342-02	Side gear		1	